

Smart String Inverter (SUN2000-60KTL-M0)



Smart

- 6 MPPTs for versatile adaptations to different layouts
- 12 strings intelligent monitoring and fast trouble-shooting
- Power Line Communication (PLC) supported
- Smart String I-V Diagnosis supported

Safe

- DC disconnect integrated, safe and convenient for maintenance
- Type II surge arresters for both DC and AC
- Ground fault protection
- Residual Current Monitoring Unit (RCMU) integrated inside

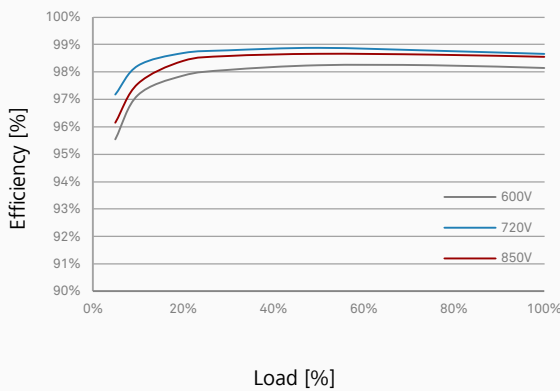
Efficient

- Max. efficiency 98.9%, European efficiency 98.7% @480Vac
- Max. efficiency 98.7%, European efficiency 98.5% @400Vac

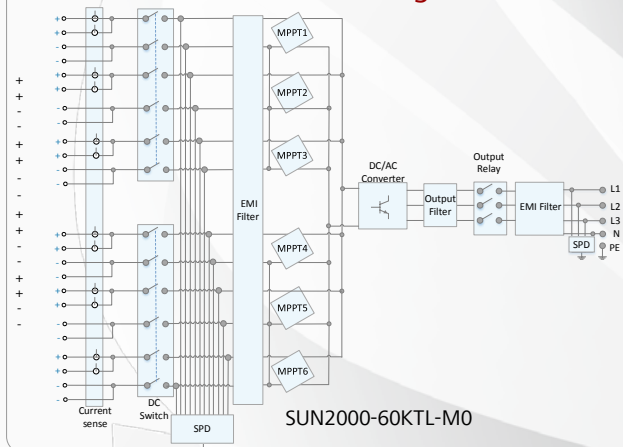
Reliable

- No need for external fans with natural cooling technology
- Protection rating of IP65

Efficiency Curve



Circuit Diagram



Smart String Inverter (SUN2000-60KTL-M0)



Technical Specifications	SUN2000-60KTL-M0
Efficiency	
Max. Efficiency	98.9% @480Vac; 98.7% @400Vac
European Efficiency	98.7% @480Vac; 98.5% @400Vac
Input	
Max. DC Usable Power	67,400 W
Max. Input Voltage	1,100 V
Max. Current per MPPT	22 A
Max. Short Circuit Current per MPPT	30 A
Start Voltage	200 V
MPPT Operating Voltage Range	200 V~1,000 V
Rated Input Voltage	600V @380/400Vac; 720V @480Vac
Max. Number of Inputs	12
Number of MPP Trackers	6
Output	
Rated AC Active Power	60,000 W
Max. AC Apparent Power	66,000 VA
Max. AC Active Power (cosφ=1)	66,000 W
Rated Output Voltage	220V / 380V, 230V / 400V, default 3W+N+PE; 3W+PE optional in settings 277V/480V, 3W+PE
Rated Output Current	91.2A @380Vac, 86.7A @400Vac, 72.2A @480Vac
Rated AC Grid Frequency	50 Hz / 60 Hz
Max. Output Current	100A @380Vac, 95.3A @400Vac, 79.4A @480Vac
Adjustable Power Factor	0.8 LG ... 0.8 LD
Max. Total Harmonic Distortion	< 3%
Protection	
Input-side Disconnection Device	Yes
Anti-Islanding Protection	Yes
DC Reverse-Polarity Protection	Yes
PV-array String Fault Monitoring	Yes
DC Surge Arrester	Type II
AC Surge Arrester	Type II
Insulation Detection	Yes
Residual Current Monitoring Unit	Yes
Communication	
Display	LED Indicators, Bluetooth + APP
RS485	Yes
USB	Yes
PLC	Yes
General	
Dimensions (W x H x D)	1075 x 555 x 300 mm (42.3 x 21.9 x 11.8 inches)
Weight (with mounting plate)	74 kg (163.1 lb.)
Operation Temperature Range	-25°C ~ 60°C (-13°F ~ 140°F)
Cooling	Natural Convection
Max. Operating Altitude	4,000 m
Relative Humidity	0~100%
DC Connector	Amphenol Helios H4
AC Connector	Waterproof PG Terminal + OT Connector/Clamp
Protection Rating	IP65
Topology	Transformerless